

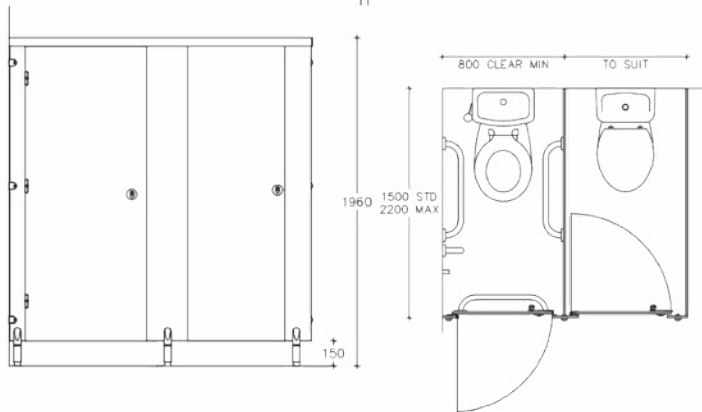
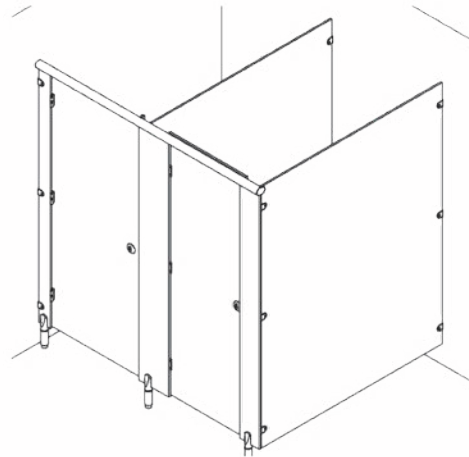
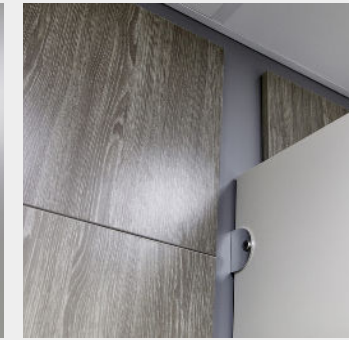
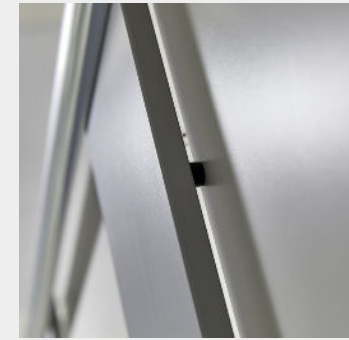
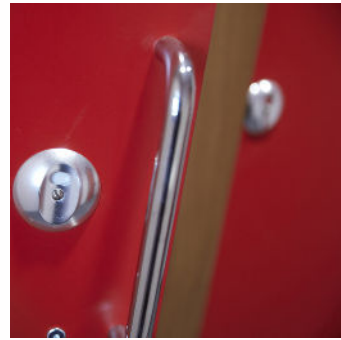
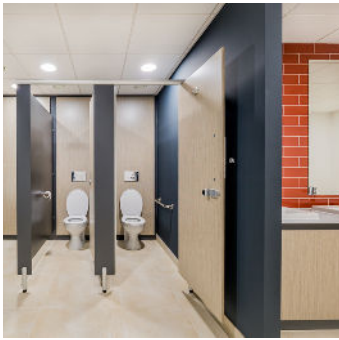
# BASE

A functional yet affordable cubicle system designed for lighter use washrooms in commercial environments.



## BASE

A Melamine Faced Chipboard panel system complete with matching impact resistant lipping, creating a great value solution for dry area washrooms



## SPECIFICATION

### Pilasters/Divisions/Doors:

- MFC - Melamine Faced Chipboard, 18mm nominal thickness
- Edge: Matching 2mm thick impact resistant ABS lipping
- Colour: From the Cube colour selector

### Hardware:

All fittings manufactured from high quality Satin aluminium

- Pedestals - Sturdy, solid rolled design with adjustable height to accommodate uneven floors
- Hinges - High strength insert with anti-breakout sleeve and self-closing cams
- Indicator Bolt - Easy slide action lock with integrated buffer and emergency door release facility
- Partition Fixing - Partitions secured with aluminium D brackets and stainless steel bolt-thru fixings
- Headrail - D section headrail for maximum strength
- Coat Hook - Matching coat hook, 1 per cubicle

## TOILET CUBICLES SOLUTION FOR:

- Industrial
- Office
- Temporary Site Accommodation
- Government