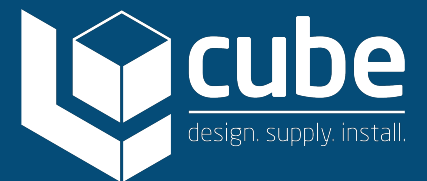




Challenger

The Challenger Cubicle System is designed for durability and built to withstand the toughest washroom environments.



Challenger

A Solid Grade Laminate panel system designed for high traffic and wet area washrooms

Specification

Pilasters/Divisions/Doors:

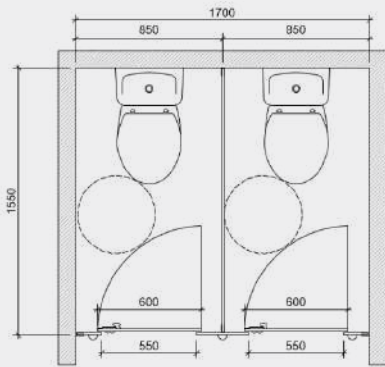
Panel Spec Options:

- SGL Core/Face: Solid grade laminate with colour finish to both sides giving 13mm nominal thickness
- Edge: Polished and radiused
- Colour: From the Dunhams colour selector

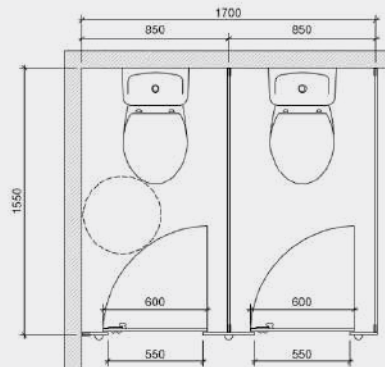
Hardware:

All fittings manufactured from high quality polished aluminium

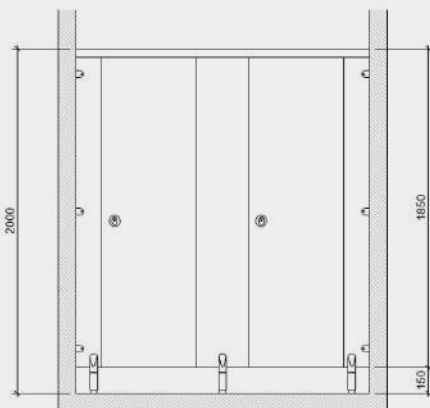
- Pedestals: Sturdy, solid rolled design with adjustable height to accommodate uneven floors
- Hinges: Ultra durable twin bolt-thru hinges - 3nr per door
- Indicator Bolt: Easy slide action lock with integrated buffer and emergency door release facility
- Partition Fixing: Partitions secured with aluminium D brackets and stainless steel bolt-thru fixings
- Headrail: D section headrail for maximum strength
- Coat Hook: Matching coat hook, 1 per cubicle



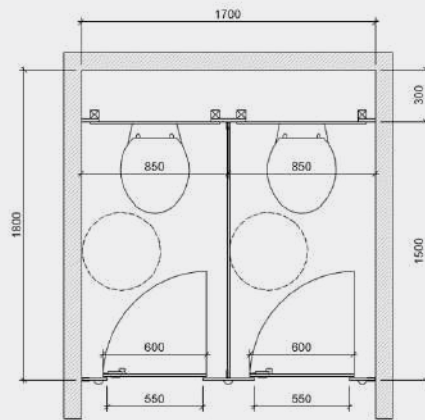
TYPICAL ENCLOSED WC CUBICLES
(without IPS Duct Panels)



TYPICAL CORNER RANGE WC CUBICLES
(without IPS Duct Panels)



TYPICAL CUBICLE FRONT ELEVATIONS



TYPICAL ENCLOSED WC CUBICLES
(with IPS Duct Panels)

Toilet Cubicles solution for:

▶ Sports
& Leisure

▶ Retail
& Office

▶ Industrial
& Transport

Options:

Panel Finishes – Extra Cost Options:

- Dunhams Grafix range
- Specially sourced laminates to meet your exact requirements

Complementary Options:

- Vanity Units and Duct Panel Systems are available to complement
- Challenger Cubicles

Hardware:

- Powder coated to match RAL colours

Height:

- Overall Height: 2000mm
- Widths: from 700mm
- Floor Clearance: 150mm
- Depth: 1500mm standard | 2200 max
- Panel Thickness: 13mm

Call: 01692 632000 | Email: info@cube-install.com

Cube Install Limited The Granary, School Road, Neatishead, Norwich, NR12 8BU

www.cube-install.com

Registered in England No. 105718

