



Solid Surface Handwash Trough



Solid Surface Handwash Trough

Stylish, hygienic and versatile handwash solution
Ideal of high traffic washroom areas

Specification

Washtrough Construction:

Style: Solid Surface wash trough
Trough Detail: 140mm downstand
400mm depth

Waste Detail: Fall to waste, standard waste is included
Core/Face: Solid Surface mounted on ply substrate
Colours: White allowed for as standard

Unit Construction:

Frame: Softwood sub-frame fitted with lift off access panels and 100mm integral factory laminated plinth

SGL Panel Option:

SGL Core/Face: 13mm solid grade laminate panels
SGL edge: profile radiused and polished

Options:

Height: low height options available

Colour: Grafix range of patterns/designs to access panels available as an extra.

Unit construction options:

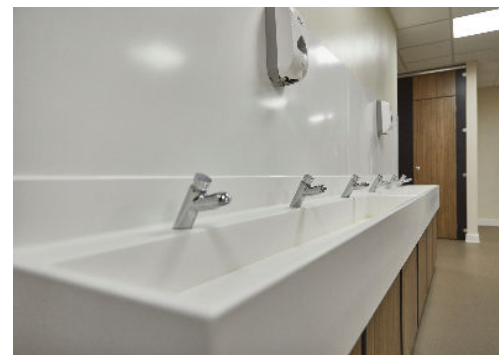
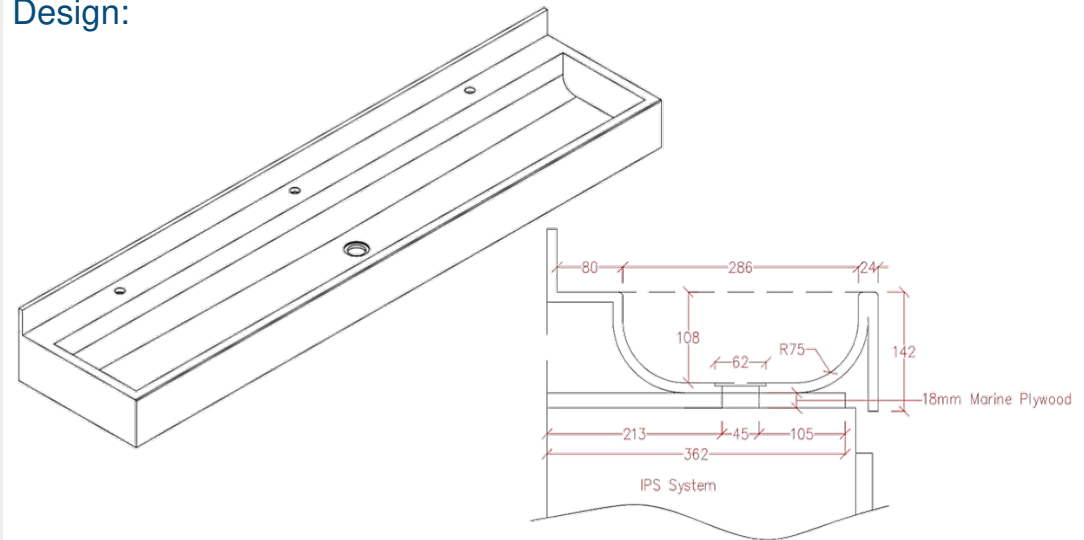
Factory Assembled 18mm MFC carcass with shelves and hinged doors

Factory assembled ply subframe with sloped under panels for access

Factory assembled ply sub-frame with panels supplied pre-hung on sprung cabinet hinges with key operated cam lock.

Trough: custom design troughs available

Design:



Call: 01692 632000 | Email: info@cube-install.com

Cube Install Limited

Belmore Place, 6 Bunkell Road, Rackheath Ind Estate, Norwich, NR13 6PX

www.cube-install.com

Registered in England No. 105718

Acclaim
Accreditation

Constructionline
Gold Member

ISO 45001
ISO 9001
ISO 14001
ISO 45001
Cert No. 15847