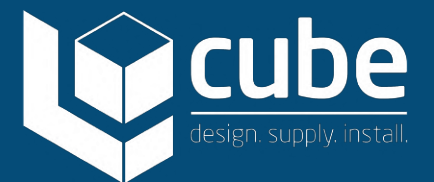




# Solid Surface Handwash Trough



# Solid Surface Handwash Trough

Stylish, hygienic and versatile handwash solution  
Ideal of high traffic washroom areas

## Specification

### Washtrough Construction:

Style: Solid Surface wash trough  
Trough Detail: 150mm downstand  
450mm depth

Waste Detail: slight fall to waste, standard waste is included  
Core/Face: Solid Surface mounted on ply substrate  
Colours: White allowed for as standard

### Unit Construction:

Frame: Softwood sub-frame fitted with lift off access panels and 100mm integral laminated plinth

#### SGL Panel Option:

SGL Core/Face: 13mm solid grade laminate panels  
SGL edge: profile radiused and polished  
Colour: ref to the Cube colour selector

#### HPL Panel Option:

HPL Core/Face: 18mm high pressure laminate panels - high density particle-board faced both sides with high pressure laminate.  
HPL edge: matching 2mm thick impact resistant ABS lipping  
Colour: ref to the Cube colour selector

### Options:

Height: low height options available

Colour: Grafix range of patterns/designs to access panels available as an extra.

#### Unit construction options:

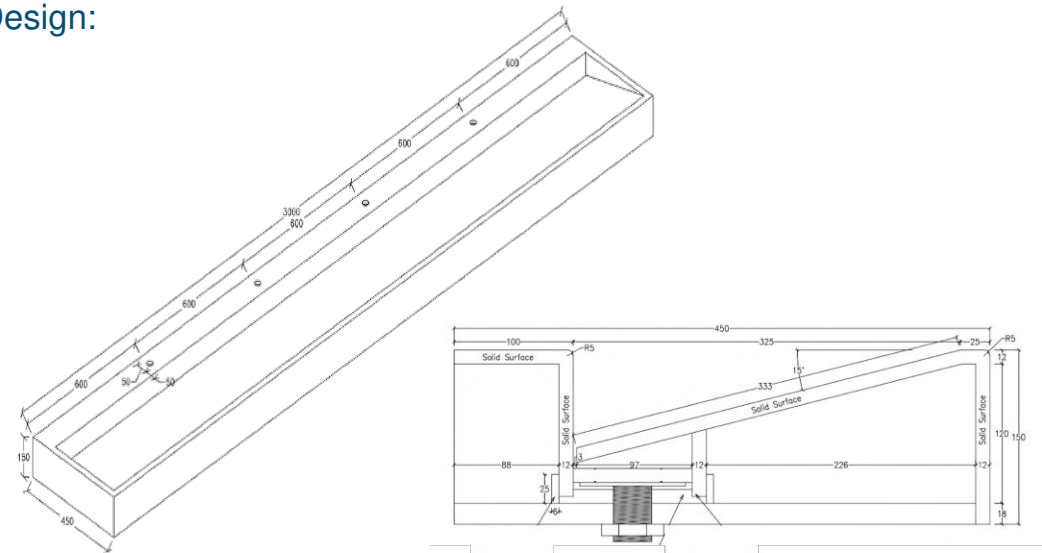
18mm MFC carcass with shelves and hinged doors

Ply subframe with sloped under panels for access

Ply sub-frame with panels supplied pre-hung on sprung cabinet hinges with key operated cam lock.

Trough: custom design troughs available

## Design:



Call: 01692 632000 | Email: info@cube-install.com

Cube Install Limited

Belmore Place, 6 Bunkell Road, Rackheath Ind Estate, Norwich, NR13 6PX

www.cube-install.com

Registered in England No. 105718

