



Classic

The Classic Cubicle system offers a robust and versatile washroom solution to any dry area washroom - ideal for use in the commercial sector.



Classic

A High Pressure Laminate panel system completed with matching impact resistant lipping it creates a great value solution for dry area washrooms

Specification

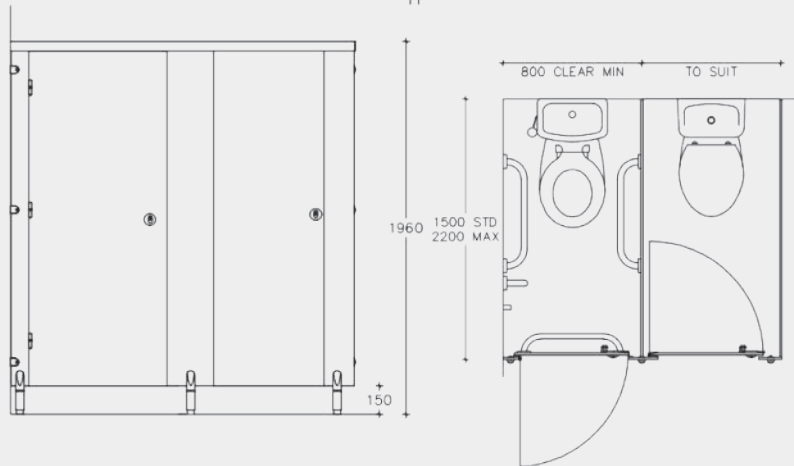
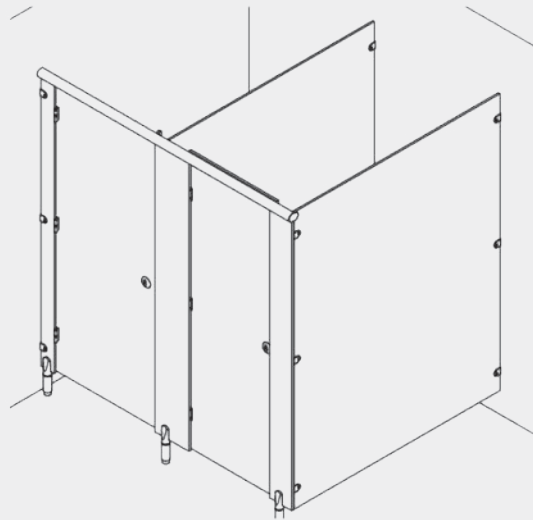
Pilasters/Divisions/Doors:

- HPL Core/Face: High density particleboard faced both sides with high pressure laminate giving 18mm nominal thickness
- Edge: Matching 2mm thick impact resistant ABS lipping
- Colour: From the Cube colour selector

Hardware:

All fittings manufactured from high quality polished aluminium

- Pedestals: Sturdy, solid rolled design with adjustable height to accommodate uneven floors
- Hinges: High strength insert with anti-breakout sleeve and self-closing cams
- Indicator Bolt: Easy slide action lock with integrated buffer and emergency door release facility
- Partition Fixing: Partitions secured with aluminium D brackets and stainless steel bolt-thru fixings
- Headrail: D section headrail for maximum strength
- Coat Hook: Matching coat hook, 1 per cubicle



Toilet Cubicles solution for:

- ▶ Industrial
- ▶ Office
- ▶ Retail
- ▶ Governments
- ▶ Entertainment
- ▶ Transport

Options:

Extra Cost Options:

Panel Finishes:

- Grafix range
- Specially sourced laminates to meet your exact requirements

Hardware:

- powder coated to match RAL colours

- Height: Panel Height to suit your requirements
Reduced floor clearance to 25mm
- Complementary Options: Vanity Units and Duct Panel Systems are available to complement Classic Cubicles

Call: 01692 632000 | Email: info@cube-install.com

Cube Install Limited

Belmore Place, 6 Bunkell Road, Rackheath Ind Estate, Norwich, NR13 6PX

www.cube-install.com

Registered in England No. 105718

Acclaim
Accreditation

Constructionline
Gold Member

ISO 45001
ISO 9001
ISO 14001
ISO 45001
Cert No. 15847

