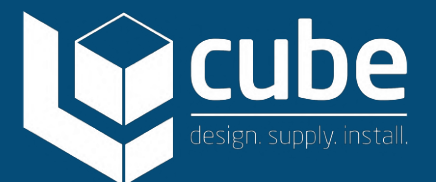




Aspect

Innovative, elegant and robust designer washroom cubicle range with smooth aluminium 'flowform' pilasters.



Aspect

A stylish, high-strength solution for busy washrooms.

Specification

Pilasters/Divisions/Doors:

Panel Spec Options:

Please note we only recommend the SGL Panel Options for Schools and wet washroom environments.

- SGL Core/Face: Solid grade laminate with colour finish to both sides giving 13mm nominal thickness
- Edge: Vertical edges to ensure flush close between doors and pilasters.
All other edge profiles radiused and polished
- HPL Core/Face: High density particleboard faced both sides with high pressure laminate giving 18mm nominal thickness
- Edge: Matching 2mm thick impact resistant ABS lipping
- Panel Detail: Rebated doors/pilasters to create a flush front cubicle
- Colour: From the Cube colour selector

Hardware:

All fittings manufactured from high quality polished aluminium

- Pedestals: Stainless steel cylindrical design
- Hinges: Sprung but hinges for self-closing doors
- Indicator Bolt: Stainless steel indicator bolt turn with emergency release facility
- Partition Fixing: Partitions secured with stainless cleats and stainless steel bolt-thru fixings
- Headrail: Box section headrail for maximum strength
- Frame: Elliptical aluminium sections with continuous bullnose headrail
- Colour: Frame polyester powder coated in Titanium Silver (light) or Charcoal Grey (dark)

Toilet Cubicles solution for:

- ▶ Industrial
- ▶ Office
- ▶ Retail
- ▶ Governments
- ▶ Entertainment
- ▶ Transport

Options:

Full Height Option - 2240mm maximum height

Panel Finishes – Extra Cost Options:

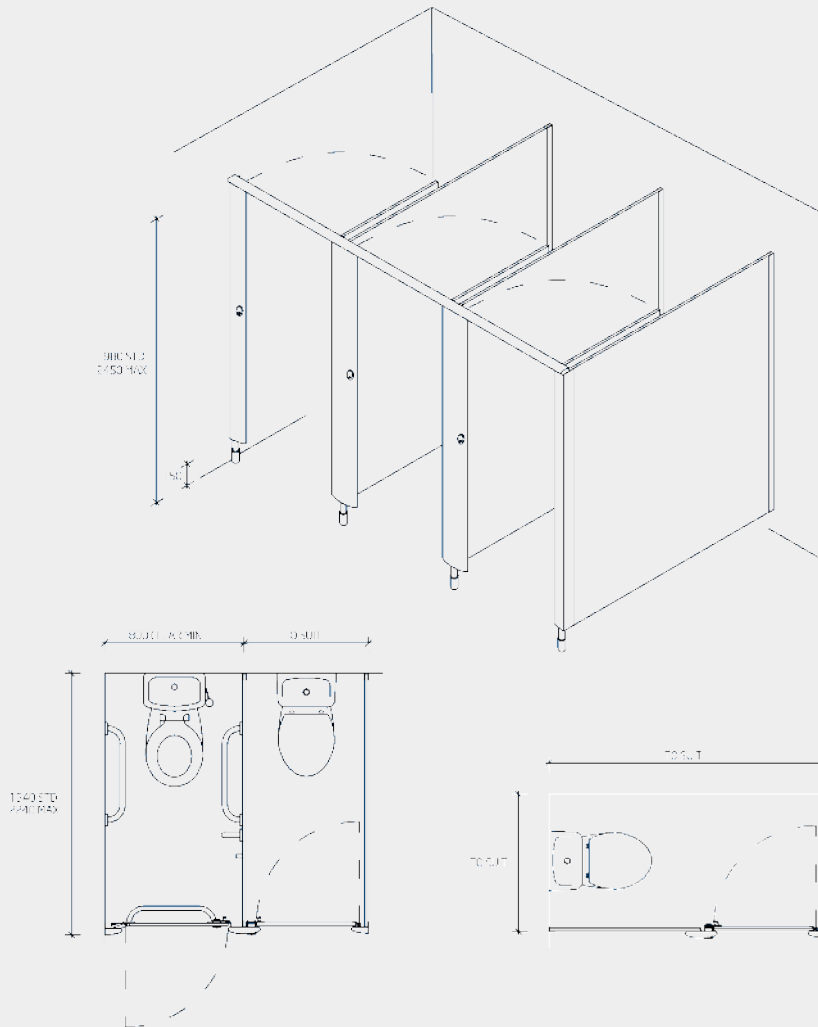
- Grafix range
- Specially sourced laminates to meet your exact requirements

Hardware:

- Powder coated to match RAL colours
- Floor Fixed Pilasters

Complementary Options:

- Vanity Units and Duct Panel Systems are available to complement Aspect Cubicles



Call: 01692 632000 | Email: info@cube-install.com

Cube Install Limited

Belmore Place, 6 Bunkell Road, Rackheath Ind Estate, Norwich, NR13 6PX

www.cube-install.com

Registered in England No. 105718

